

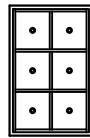
AURORA
CEILING



ECONOMY
CEILING



FRAME
CEILING



MODULAR
CEILING

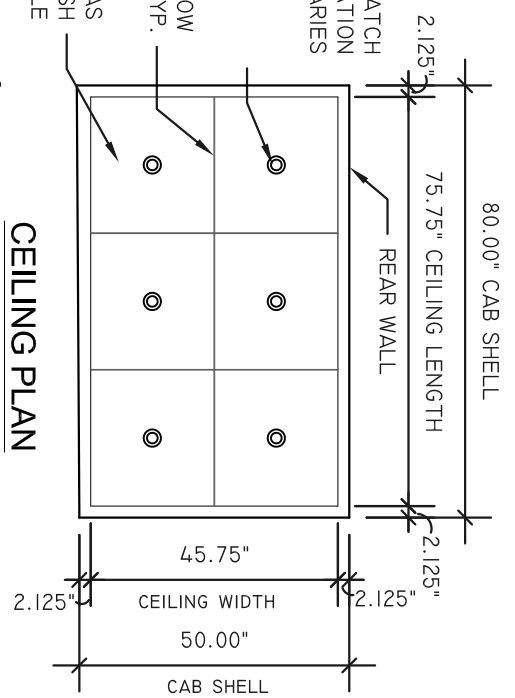
2" LED LIGHT
FIXTURE, TYP.

1/8" SHADOW
LINE, TYP.

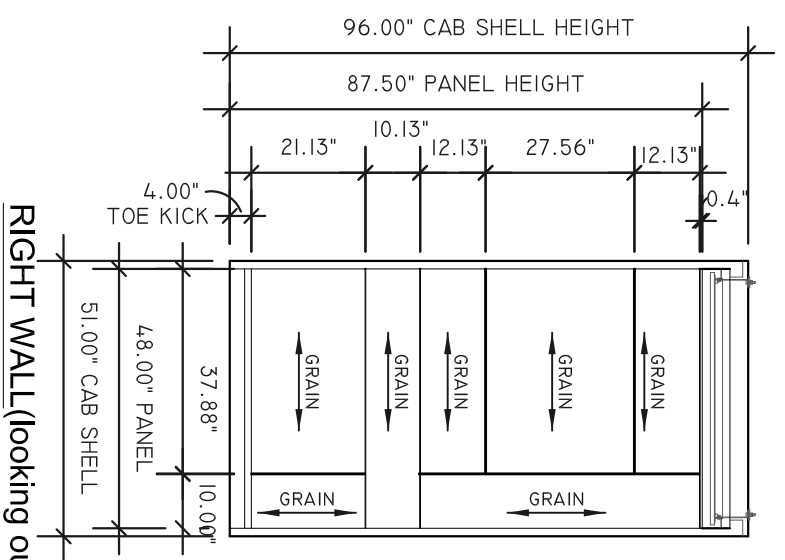
PANEL FINISH AS
NOTED IN FINISH
SCHEDULE

ALTERNATE CEILING STYLES

CEILING PLAN

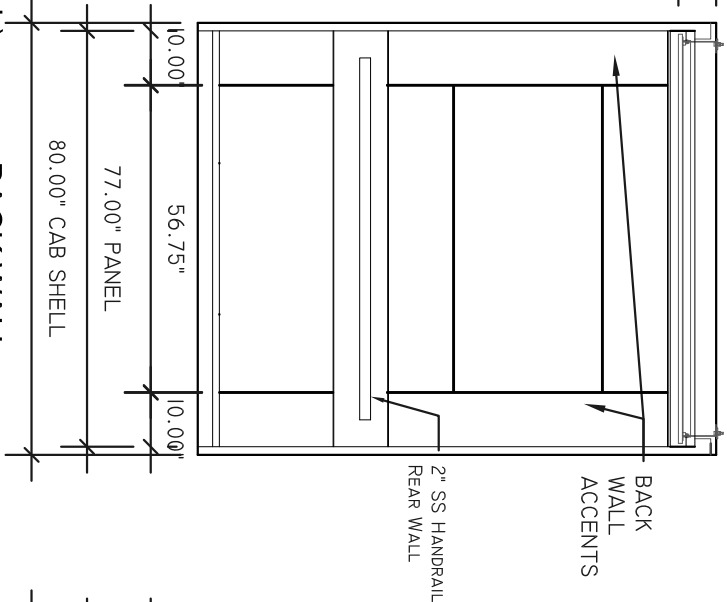


Finish Selection	
Ceiling:	STAINLESS STEEL #4 FINISH
Accents:	WILSONART® COMPACT
Layer 6:	WILSONART® COMPACT
Layer 5:	WILSONART® COMPACT
Layer 4:	WILSONART® COMPACT
Layer 3:	WILSONART® COMPACT
Layer 2:	WILSONART® COMPACT
Layer 1:	STAINLESS STEEL #4 FINISH

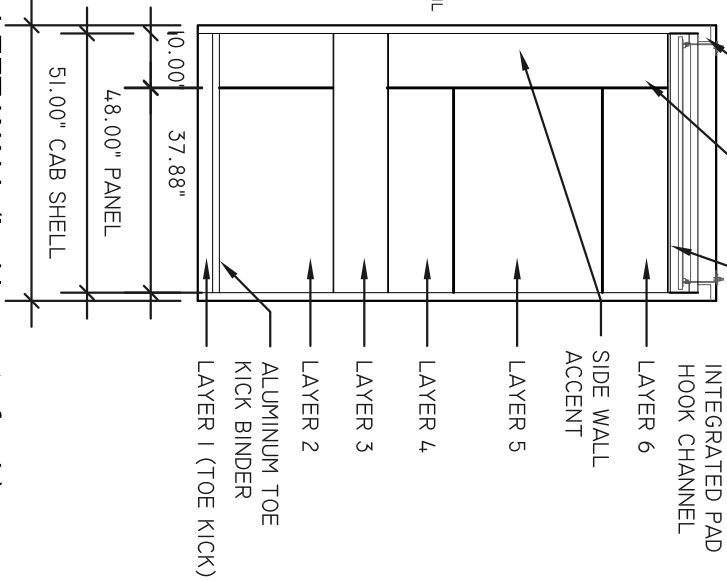


RIGHT WALL (looking out of cab)

BACK WALL



LEFT WALL (looking out of cab)



STAINLESS STEEL CORNER
AND SIDE REVEALS, TYP.

1/8" SHADOW LINE,
TYP.

ALUMINUM TOP
CAP WITH
INTEGRATED PAD
HOOK CHANNEL

LAYER 6
SIDE WALL
ACCENT

LAYER 5
LAYER 4
LAYER 3
LAYER 2

ALUMINUM TOE
KICK BINDER
LAYER 1 (TOE KICK)

NOTES: SEE MODEL SPACE
FOR ALTERNATE
CEILING NOTES.



Paneling Systems Simplified

175 Titus Avenue
Warrington, PA 18976
P: 886-766-7834
F: 877-855-3714
www.SnapCab.com

Job Number:	Cab Weight: 2500
Cab ID:	Scale: NOT TO SCALE
Draftsman:	Drawing Date:
Revisions:	

Job Name:	Wall Panels: TUNDRA
Ceiling: ISLAND CEILING	

Date:	
-------	--