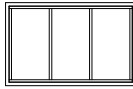
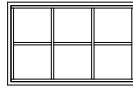


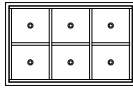
ECONOMY CEILING



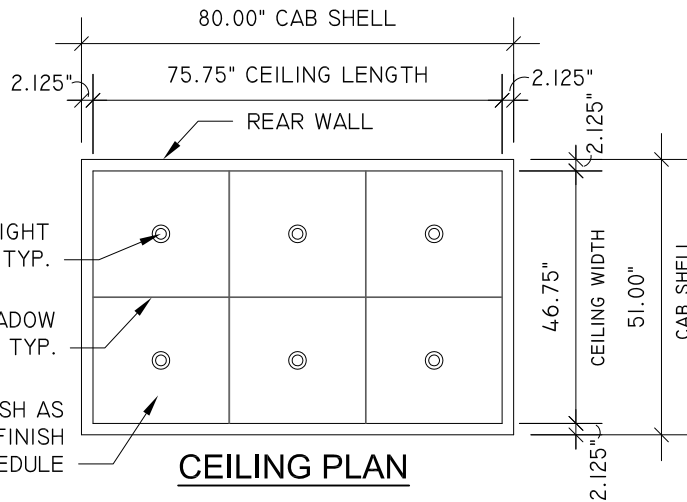
FRAME CEILING



MODULAR DOWNLIGHT CEILING

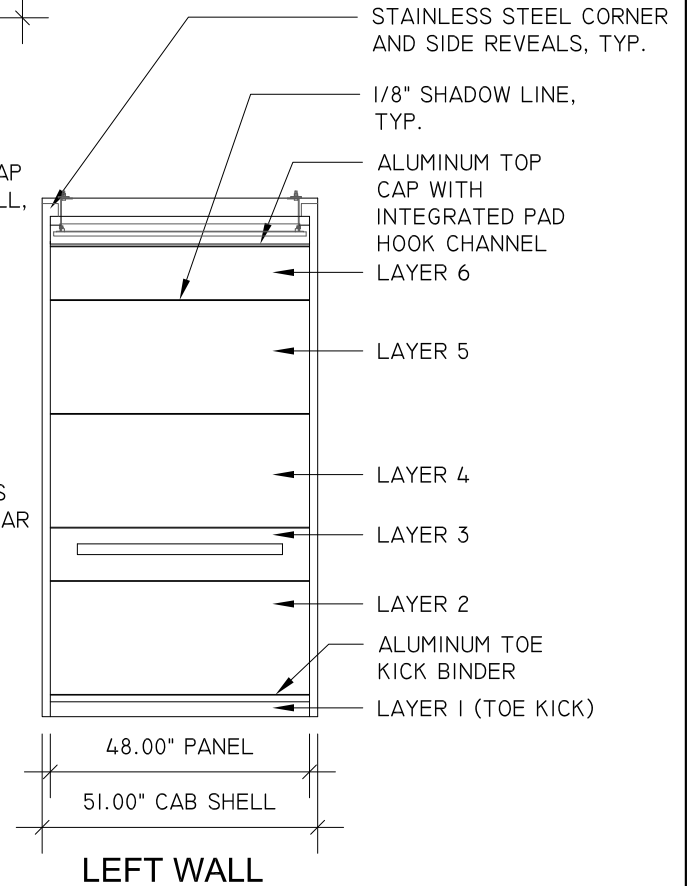
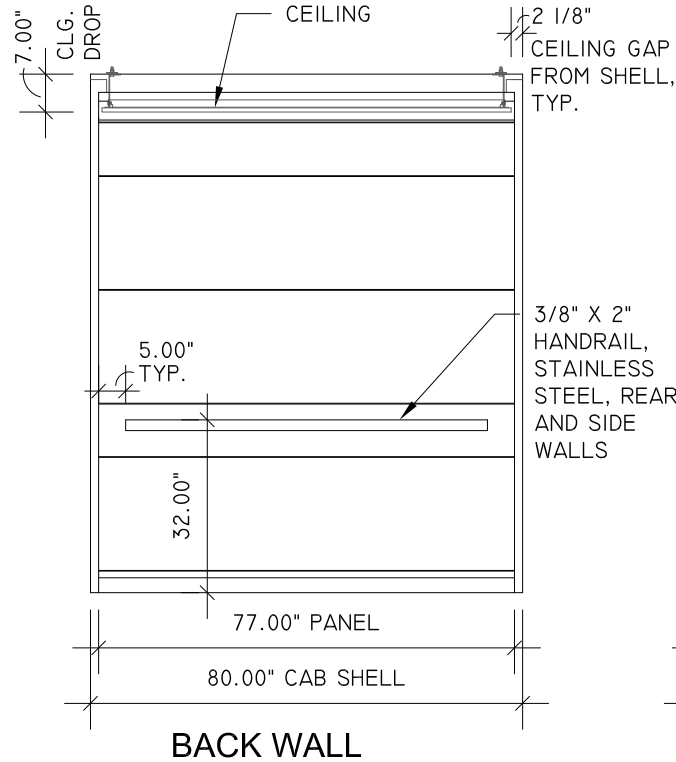
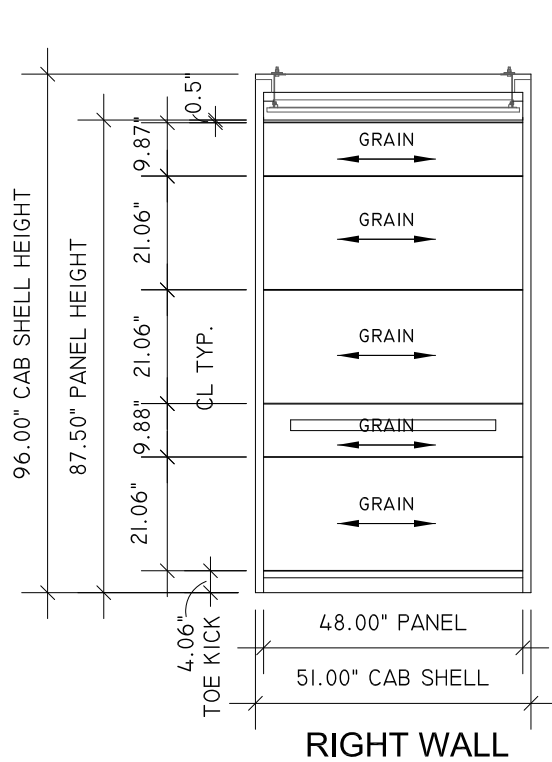


ALTERNATE CEILING STYLES



Finish Selection

Ceiling:	STAINLESS STEEL #4 FINISH
Layer 6:	STANDARD PLASTIC LAMINATE
Layer 5:	STANDARD PLASTIC LAMINATE
Layer 4:	STANDARD PLASTIC LAMINATE
Layer 3:	STANDARD PLASTIC LAMINATE
Layer 2:	STANDARD PLASTIC LAMINATE
Layer 1:	STAINLESS STEEL #4 FINISH
←	FINISH MATERIAL GRAIN DIRECTION



175 Titus Avenue
 Warrington, PA 18976
 P: 888-766-7834
 F: 877-855-3714
 www.SnapCabs.com

Job Number:	Cab Weight: 2500
Cab ID:	Scale: NOT TO SCALE
Draftsman:	Drawing Date:
Revisions:	

Job Name:	Wall Panels: MODERN I
Ceiling: ISLAND DOWNLIGHT	
Signature:	Date:

NOTES: SEE MODEL SPACE FOR ALTERNATE CEILING NOTES