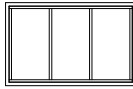
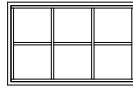


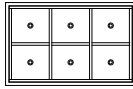
ECONOMY CEILING



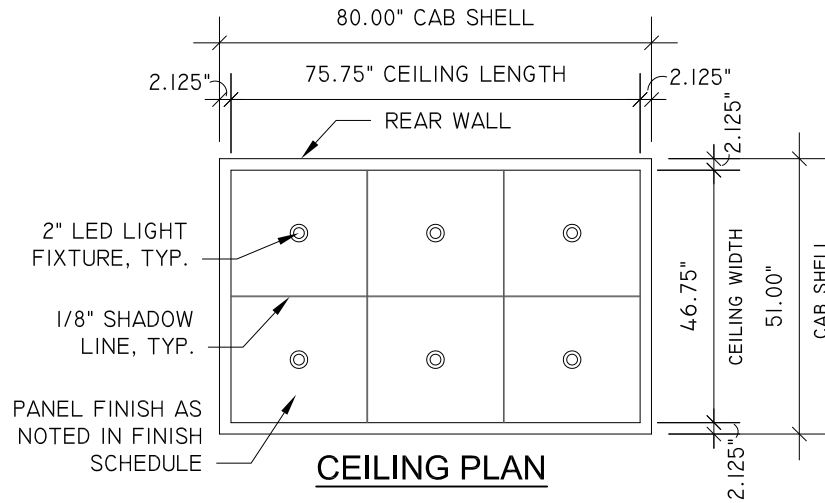
FRAME CEILING



MODULAR
DOWNLIGHT CEILING

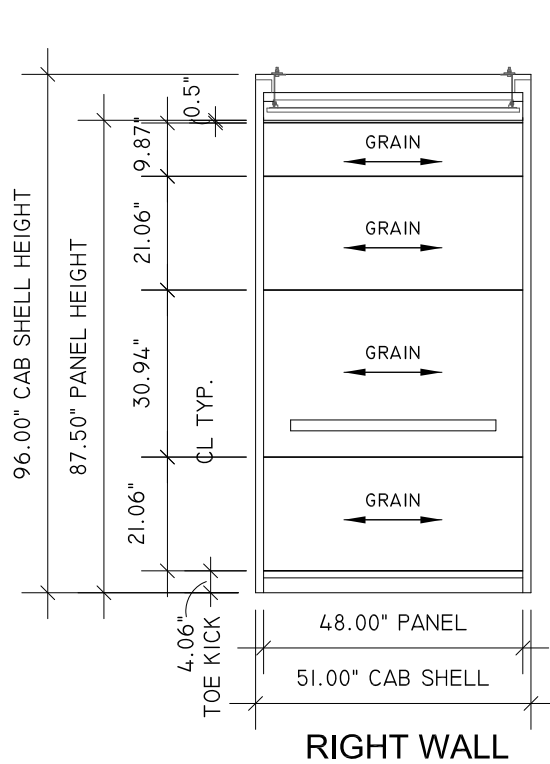


ALTERNATE CEILING STYLES

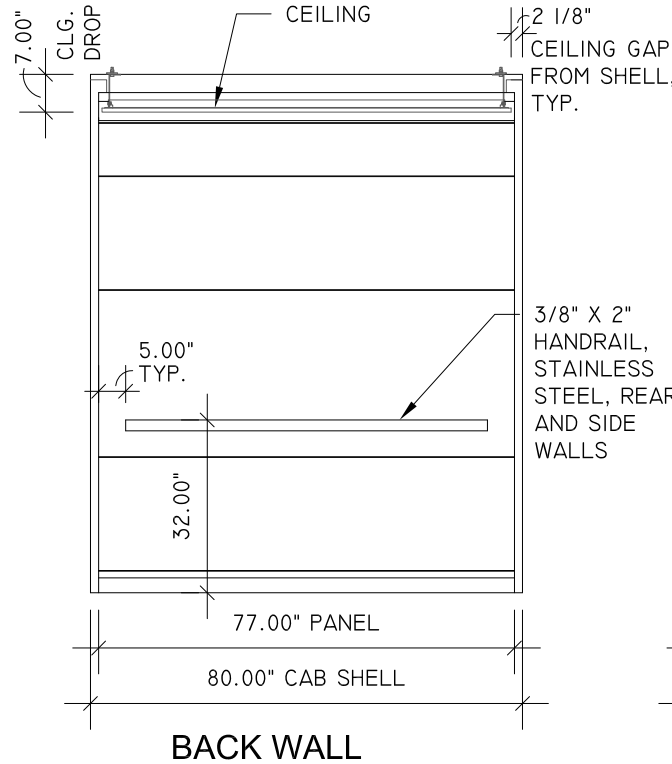


Finish Selection

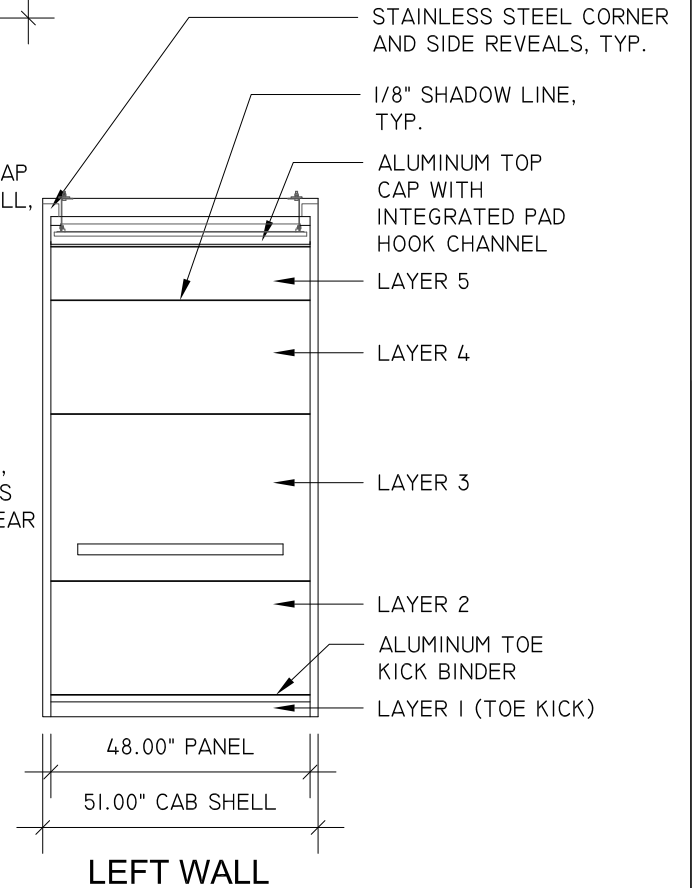
Ceiling:	STAINLESS STEEL #4 FINISH
Layer 5:	STANDARD PLASTIC LAMINATE
Layer 4:	STANDARD MOZ PATTERN
Layer 3:	STANDARD PLASTIC LAMINATE
Layer 2:	STAINLESS STEEL #4 FINISH
Layer 1:	STAINLESS STEEL #4 FINISH
← FINISH MATERIAL GRAIN DIRECTION	



RIGHT WALL



BACK WALL



LEFT WALL



175 Titus Avenue
Warrington, PA 18976
P: 888-766-7834
F: 877-855-3714
www.SnapCabs.com

Job Number:	Cab Weight: 2500
Cab ID:	Scale: NOT TO SCALE
Draftsman:	Drawing Date:
Revisions:	

Job Name:	Wall Panels: ACERO I
Ceiling: ISLAND DOWNLIGHT	
Signature:	Date:

NOTES: SEE MODEL SPACE FOR ALTERNATE CEILING NOTES.